

ACOUSTIC DOORS + DOOR SEALS

DOOR SEALING
SYSTEMS



1300 498 268 | ENQUIRIES@ACOUSTICAPROJECTS.COM.AU
GROUND FLOOR, 6A NELSON STREET, ANNANDALE NSW 2038



**Acoustica
Projects**

KEY BENEFITS

- Reduces noise transmission + safety in noisy environments
- Provides increased privacy
- Customizable face materials, such as MDF, Ply, Laminate, Steel Sheet or Timber Veneer
- Offers durability and long-lasting performance
- Improves energy efficiency by preventing air leakage

APPLICATIONS

- Concert halls
- Music rooms for multiple settings e.g., School, Dance, Theatre
- Commercial studios
- Privacy rooms e.g., Therapy rooms
- Meeting rooms
- Suitable for industrial and residential applications

FEATURES

- Constructed with a solid core to block sound transmission
- Fitted with seals around the edges to prevent air leaks and reduce noise
- Often made from high-quality materials such as wood or metal
- Available in a range of sizes and designs to suit various applications
- Can be customised with additional features such as vision panels, louvers, or automatic closing mechanisms

DESCRIPTION

Acoustica Projects manufactures high-quality Acoustic Doors that are designed to minimise noise transmission between rooms.

Our doors are engineered to provide superior sound insulation, ensuring sound does not leak through and disrupt activities in adjoining spaces.

ACOUSTIC DOORS

KEY BENEFITS

- Simple solution to enhance acoustics and keep exterior noise out
- The extensive range of acoustic Door Seals available has all types of entry-way covered.
- Quick + easy to install
- Durable and robust
- Fire-rated Door Seals kit

APPLICATIONS

- Single doors
- Double doors
- Swing doors
- Bi-fold doors
- Interior doors
- Exterior doors
- Glass, wood or metal doors

DESCRIPTION

Acoustic door seals are essential for maintaining privacy and sound transmission ratings. They effectively close gaps around doors to provide secure, soundproofing that meets necessary specifications.

Perimeter seals, door stop seals, bottom seals, spring-loaded bottom seals, and special meeting stile seals are available for swing doors. It's important to consider any locking or latching requirements when applying Acoustic Door Seals.

Acoustica Projects can provide expert advice to ensure that the correct door seal systems are selected and installed effectively.

FEATURES

- Door seals close the gaps in your door system to effectively block out noise
- Extensive range to suit all door styles, types and sizes
- Peace of mind acoustic door solution that meets security and safety requirements

Sets for Single Doors:

- RP10SICS comprises 2 x 2100mm lengths + 1 x 1000mm length
- RP10SICLS comprises 2 x 2750mm lengths + 1 x 1000mm length

Sets for Double Doors:

- RP10SICS comprises 3 x 2100mm lengths
- RP10SICLS comprises 2 x 2750mm lengths + 2 x 2000mm length

Bottom Seal sets sizes:

- RP128SIC0600 suits 305 - 600mm
- RP128SIC0820 suits 601 - 820mm
- RP128SIC0920 suits 821 - 920mm
- RP128SIC1070 suits 921 - 1070mm
- RP128SIC1220 suits 1071 - 1220mm

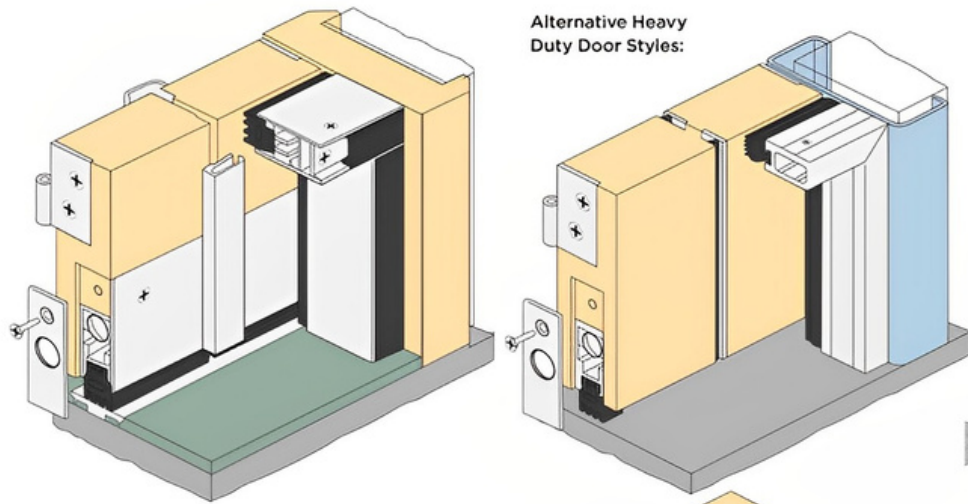
Meeting Stile Seal sets sizes:

- RP16SIC2250 up to 2250mm
- RP16SIC2750 up to 2750mm

DOOR SEALS

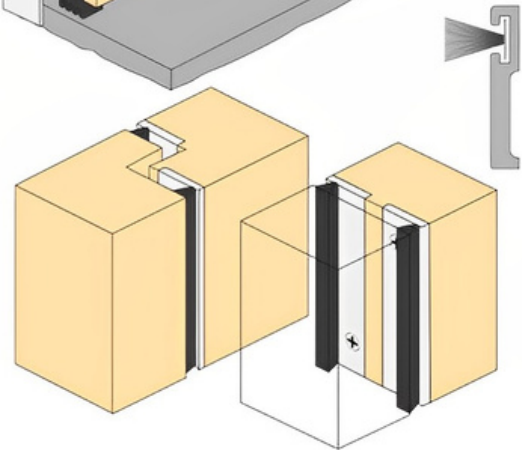


CONSTRUCTION



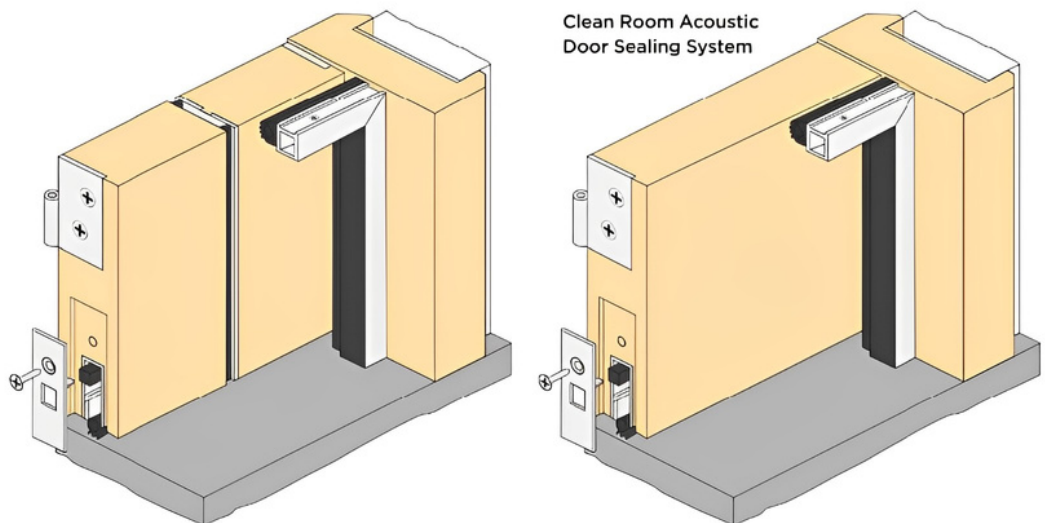
Heavy Duty Acoustic Door Sealing Systems

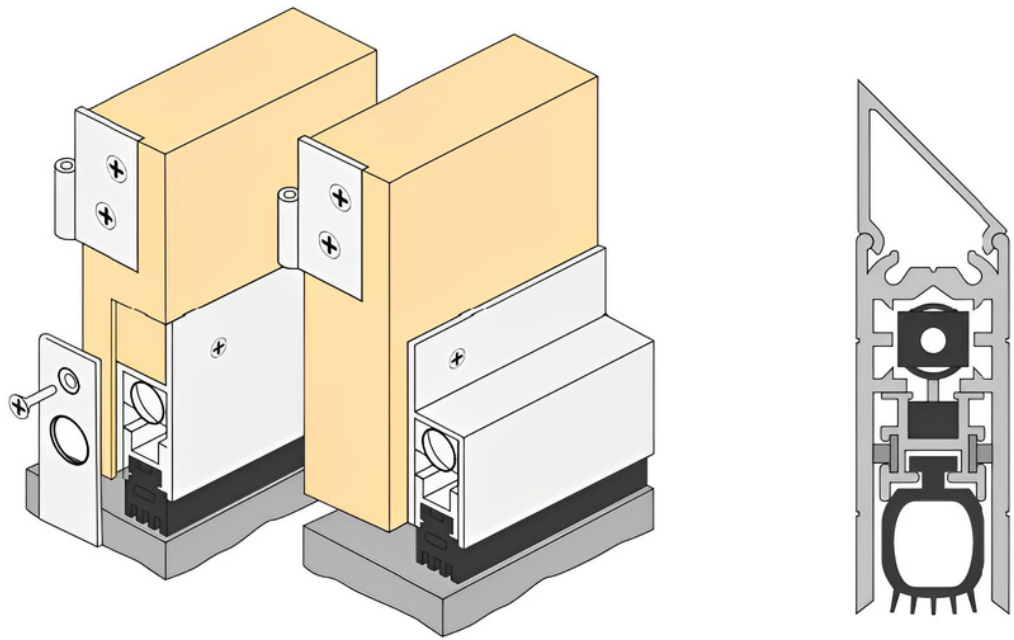
An effective combination of seals for solid core doors in situations requiring a consistently high acoustic performance rating, and where these ratings must be maintained by an adjustment facility.



Medium Duty Acoustic Door Sealing Systems

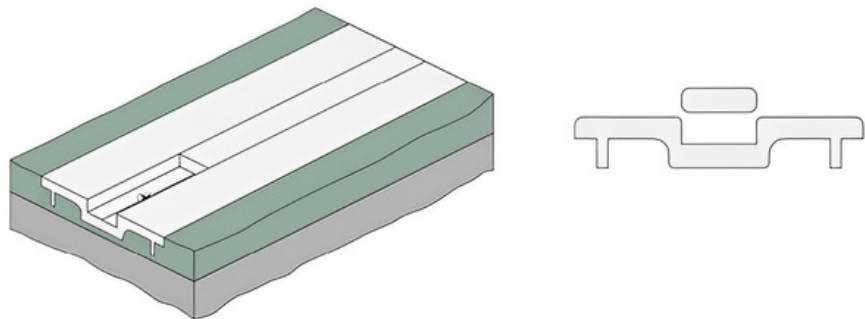
An effective combination of seals for solid core broad butt hinged doors in situations such as offices, school rooms, hotel rooms and consulting rooms.





Heavy Duty Spring loaded automatic door bottom seal

Lifts clear off the floor as soon as the door is opened.



Threshold Plates

Aluminium or brass extruded Threshold Plates fitted to the sill under doors provide a clean delineation between adjacent floor surfaces and provide an optimum sealing surface for door bottom seals.